

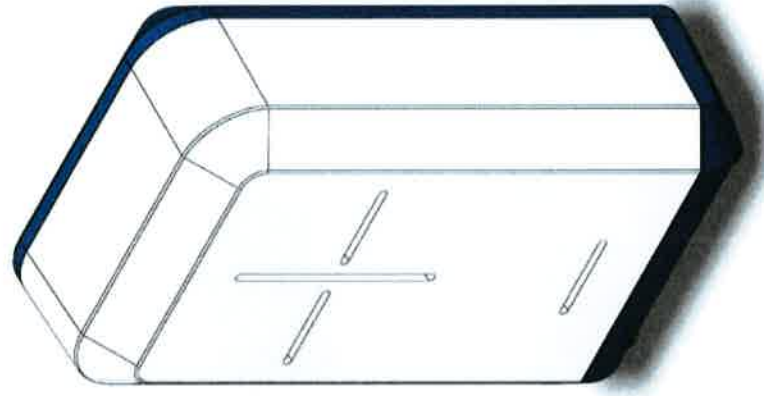
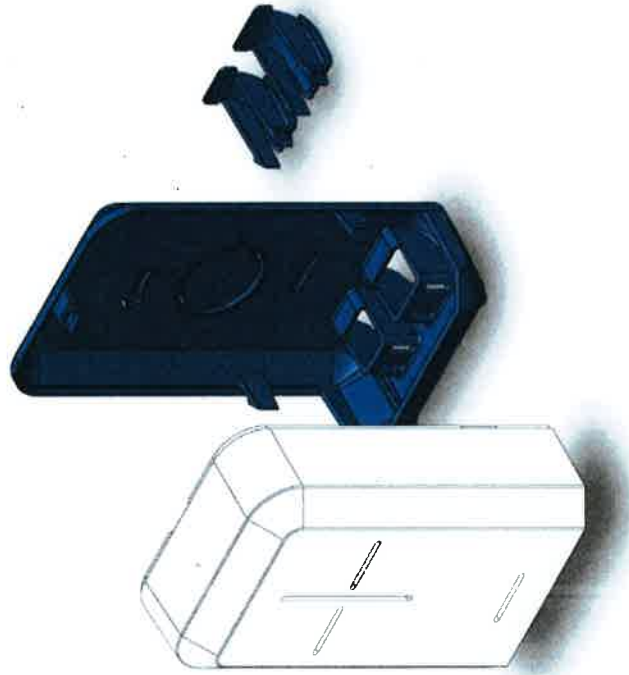
Need help?

support@ecomasure.com

Welcome.

Let's get started

Quick setup guide - EcomZen 2 & EcomLite 2



Download the EcomPlay App



Launch the App and follow the steps

1 Get your device



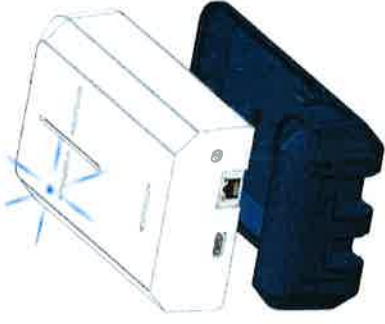
3 Press ON/OFF button



2 Separate cartridge from base



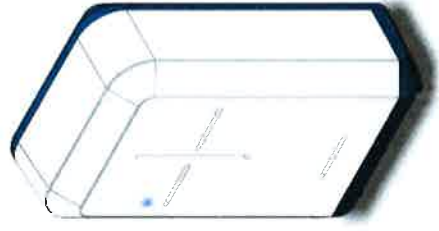
4 Wait until the LED flashes



5 Plug the USB-C cable in



6 Scan the QR code provided with device



That's all!